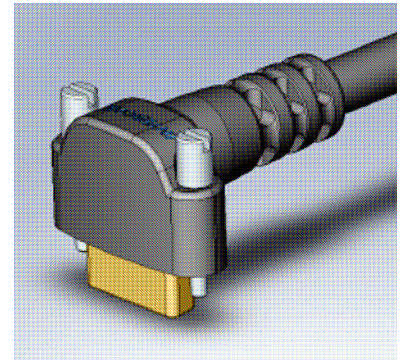


Introducing Right Angle Mini Camera Link[®] Cable Assemblies from Intercon 1

WAYZATA, Minn.--(BUSINESS WIRE) June 6, 2008--The Intercon 1 division of Nortech Systems, Inc. (Nasdaq:NSYS), a global leader in the supply and manufacturing of Machine Vision analog and digital video cables and assemblies based in the United States, introduces Right Angle Mini Camera Link[®] cable assemblies.

Intercon 1's new right angle over-mold design eliminates bend radius issues that arise in applications with tight space constrictions. As a result, signal integrity issues associated with exceeding the minimum bend radius are avoided. This unique strain relief solution further increases the versatility of Intercon 1's expansive Camera Link[®] product line.



This compact version offers all of the benefits of standard Camera Link[®] cable assemblies such as bandwidth, speed and reliability. Because both Camera Link[®] and Mini Camera Link[®] utilize the same pin configuration, cables are available to interface Mini to Standard Camera Link[®] equipment as well as Mini to Mini in straight and right angle over-mold options. This versatility allows more choices in constructing a system tailored to your specific needs.

Intercon 1's Right Angle Mini Camera Link[®] cable assemblies offer the robustness and reliability that users have come to expect from Intercon 1's Camera Link[®] products. The 360-degree shielded cable is designed to surpass one million flex cycles, making it a perfect cabling solution for robotic and motion applications.

These assemblies are RoHS compliant.

Custom assemblies are also available to fit specific needs.

Further information and a high-resolution image can be downloaded from <http://www.intercon-1.com/>.

Contacts:

Rebecca Leach, 1.800.237.9576

Email: intercon@nortechsys.com